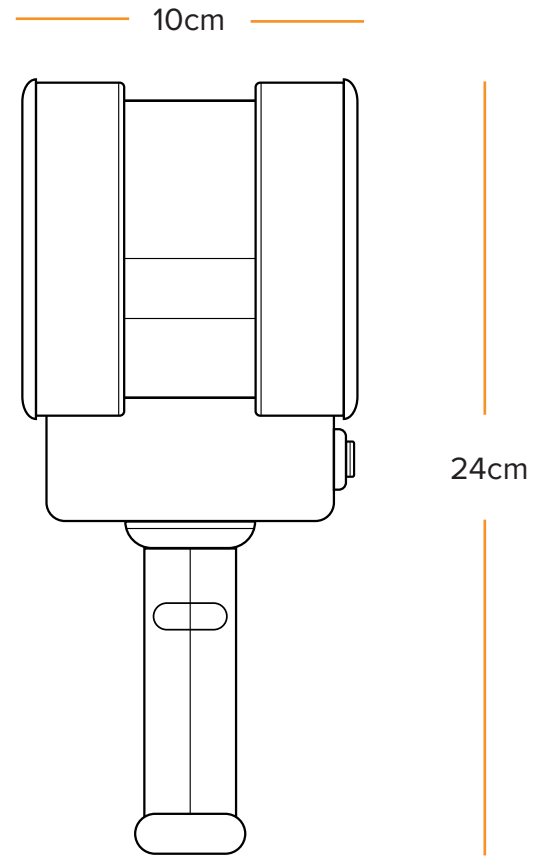


ZEB

HORIZON

PRODUCT SPECIFICATION



Scanner

Type	VLP-16
Acquisition	300,000 pts/sec
Channels	16
Range	100m
Class	Class 1 eye safe laser
Wavelength	903nm
Angular resolution	2°
Angular resolution	0.1 – 0.4°
Weight	1.3kg
Raw data file size	100-200MB a minute
Rotation	10Hz

Datalogger

Battery	PAG L90 SLIM 90 Wh 14.8V 6.1 Ah
Operational time	3.5 hours
Storage	120GB
Operational temp	0 – 50°
Ports	ZEB Cable (LEMO) USB 3.0
Weight	2.4 kg

System

Protection Class	IP54
Processing	Post
Accuracy	1 - 3 cm

ZEB-CAM for HORIZON

Resolution	4k
Frame Rate	30fps
Aspect Ratio	16:9
FOV	130 (deg)

ZEB-HORIZON UAV Performance

Altitude (m)	Speed (m/s)	Point density (pts/m ²)
15	5	1000
25	5	600
50	5	350

GeoSLAM HUB Software

Industry leading software for transforming LiDAR data into actionable information. Comes with the ZEB-HORIZON solution as standard.